

# 68 Cam Latch

Small · T-Handle · Adjustable grip

### Features

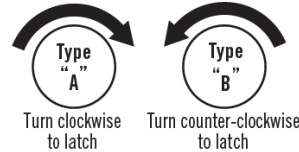
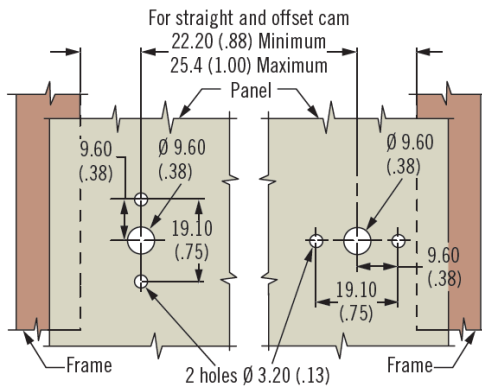
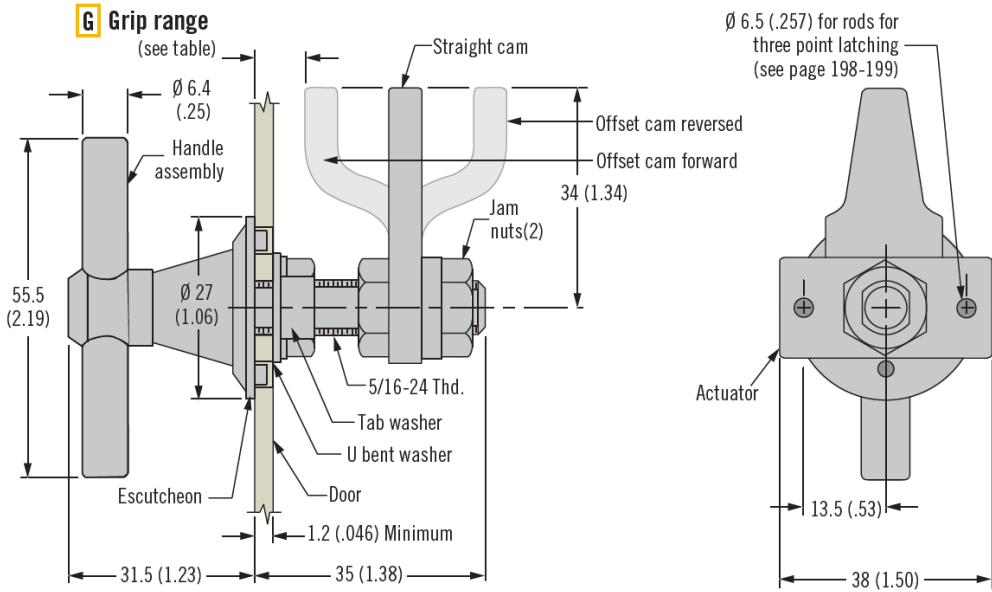
- Robust design

### Material

- Zinc alloy and steel, zinc plated

### Product Performance

- Maximum static load: 1,100 N



Grip	Minimum	Maximum	Cam Type
1	0 (0)	12.7 (.50)	Offset cam forward position
	25.4 (1.00)	38 (1.50)	Offset cam reversed position
2	12.7 (.50)	25.4 (1.00)	Straight cam

68 - 50 - 30 **G** - **F**

- F Finish**
- 10 Zinc plate bright chromate
  - 20 Chrome plated

# 68 Cam Latch

Medium · T-Handle · Adjustable grip

### Features

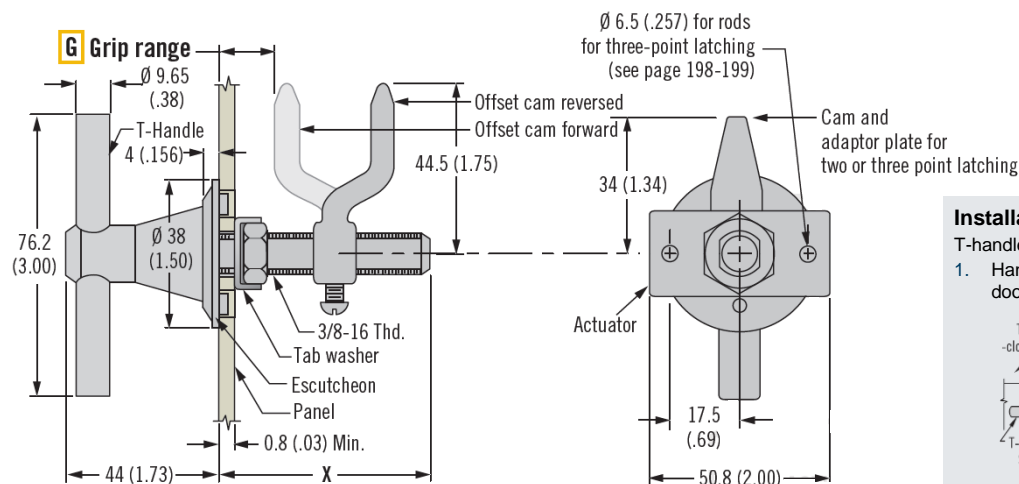
- Robust design
- Optional internal actuation

### Material

- Zinc alloy and steel, zinc plated

### Product Performance

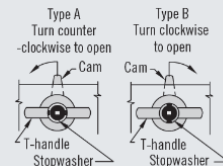
- Maximum static load: 1,100 N



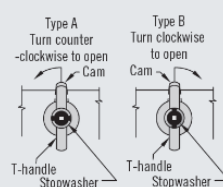
### Installation Notes

T-handle orientation and operation:

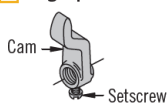
1. Handle parallel to the edge of door when latched



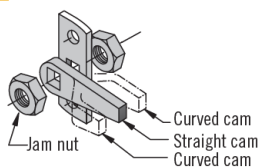
2. Handle perpendicular to edge of door when latched



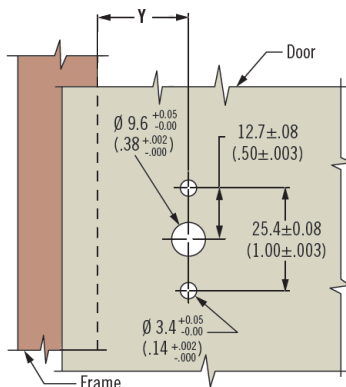
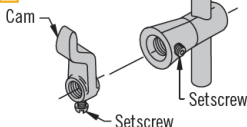
### A Single point



### A Three point



### A Inside release



### A Assembly

- 1 Single point
- 3 Three point
- 4 Inside release

68 - 10 - A 0 G - F

### F Finish

- 10 Zinc plate bright chromate
- 20 Chrome plated

southco<sup>®</sup>

We are proud to be Southco's authorized distributor of over 20 years

Assembly	G Grip	Grip Range		X	Y	Cam Type
		Minimum	Maximum			
Single point	1	3.2 (.13)	25.4 (1.00)	46.4 (1.83)	31.8±3.2 (1.25±.13)	Offset cam forward position
		25.4 (1.00)	50.8 (2.00)			Offset cam reversed position
Three point	1	1.6 (.06)	19.8 (.78)	65 (2.56)	28.6±1.6 (1.13±.06)	Offset cam forward position
		27 (1.06)	45.2 (1.78)			Offset cam reversed position
	2	14.3 (.56)	32.5 (1.28)			Straight cam
Inside release	1	3.2 (.13)	25.4 (1.00)	65 (2.56)	31.8±3.2 (1.25±.13)	Offset cam forward position
		25.4 (1.00)	50.8 (2.00)			Offset cam reversed position

# 68 Cam Latch

Large · T-Handle · Adjustable grip

### Features

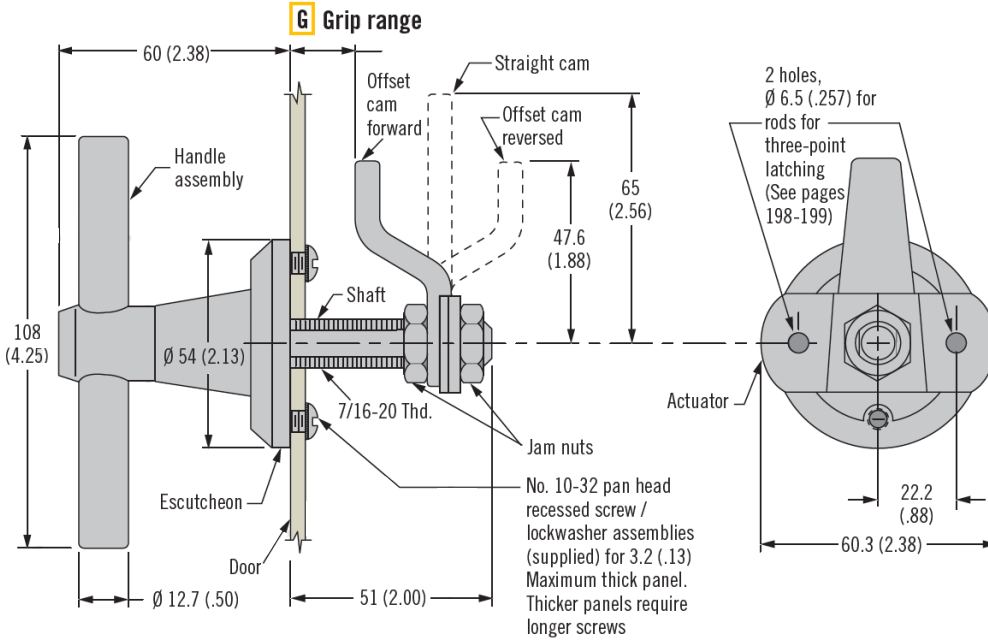
- Robust design
- 90° rotation

### Material

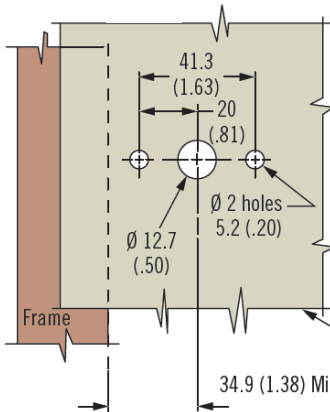
- Zinc alloy and steel, zinc plated

### Product Performance

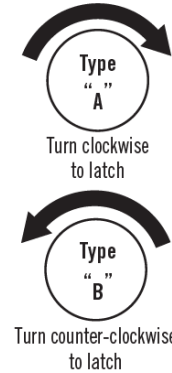
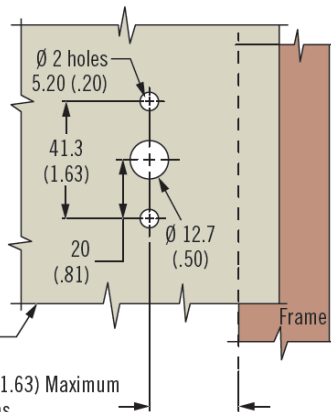
- Maximum static load: 1,300 N



### Type B



### Type A



For offset cams  
34.9 (1.38) Minimum to 41.3 (1.63) Maximum

For straight cams  
28.6 (1.13) Minimum to 57.2 (2.25) Maximum

68 - 70 - 30 **G** - **F**

G Grip	Minimum	Maximum	Cam Type
1	0 (0)	19 (.75)	Offset cam forward position
	25.4 (1.00)	57 (2.25)	Offset cam reversed position
2	6.4 (.25)	38 (1.50)	Straight cam

### F Finish

- 10 Zinc plate bright chromate
- 20 Chrome plated